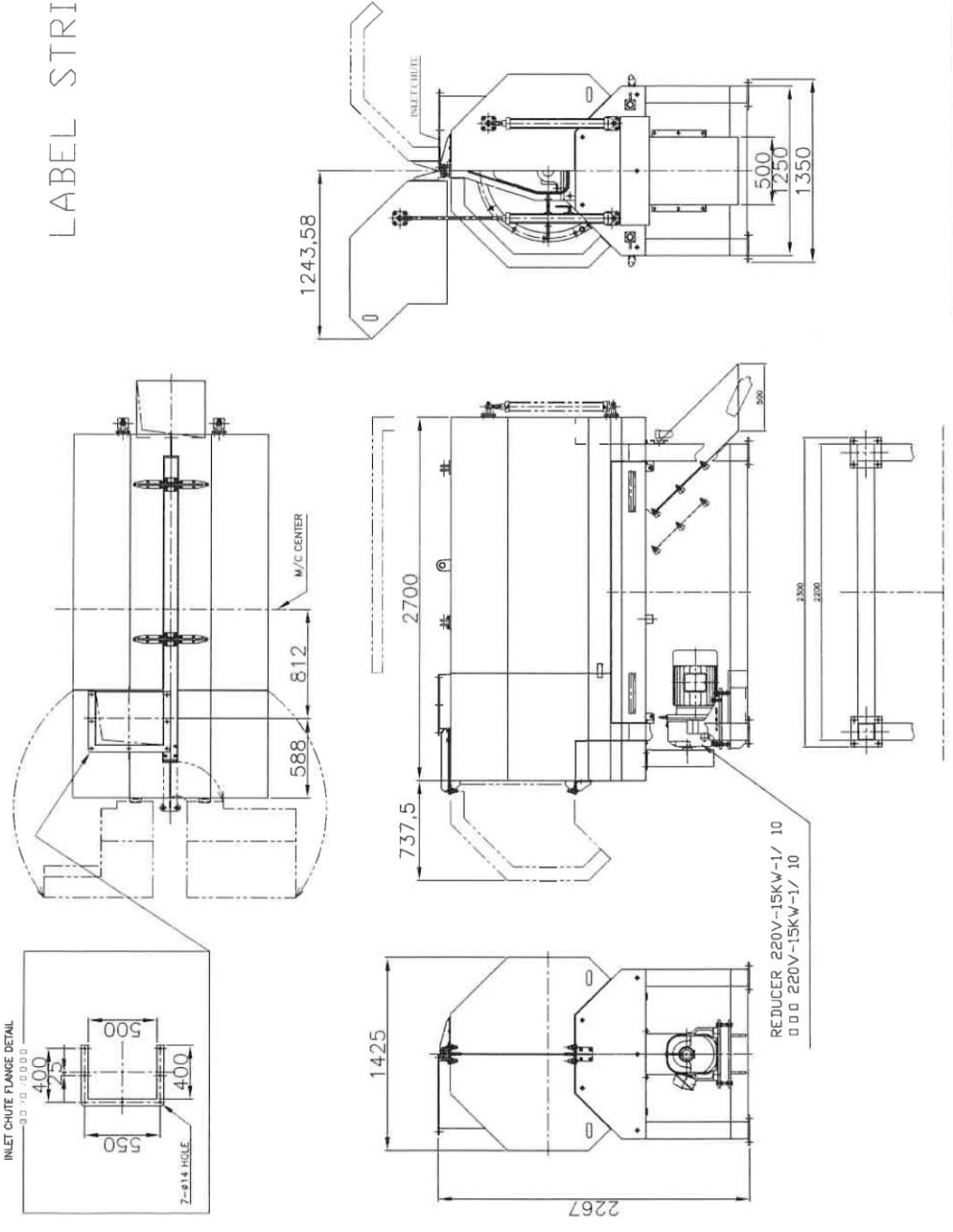


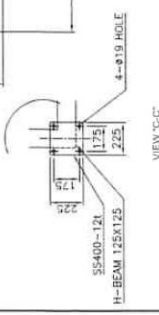
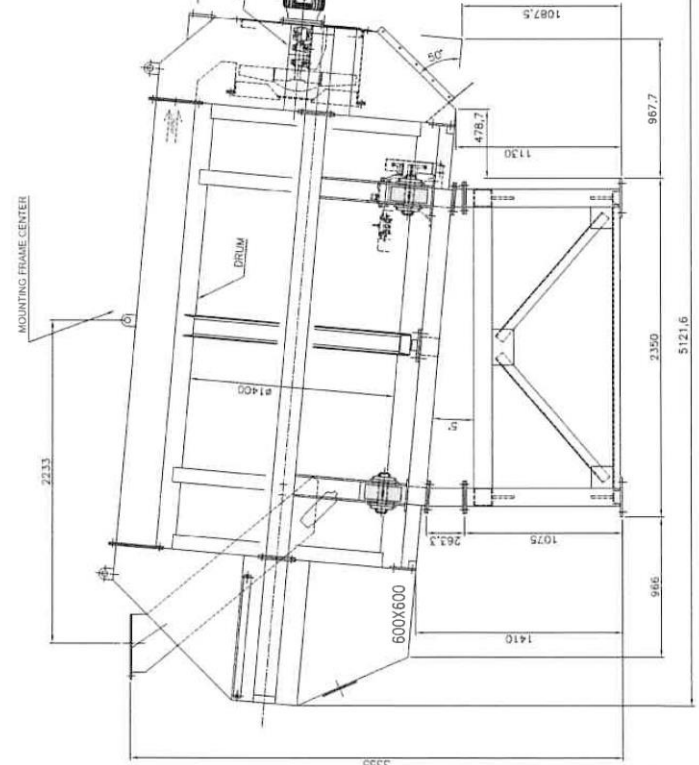
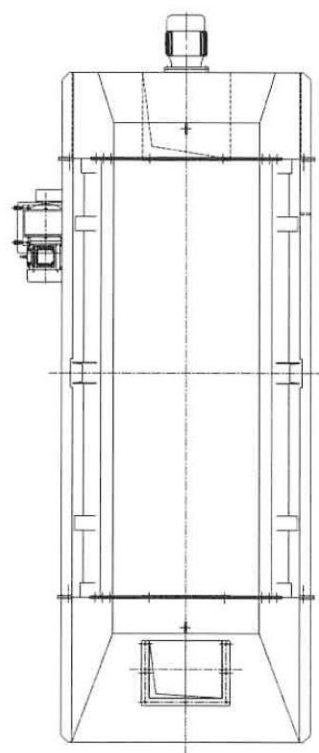
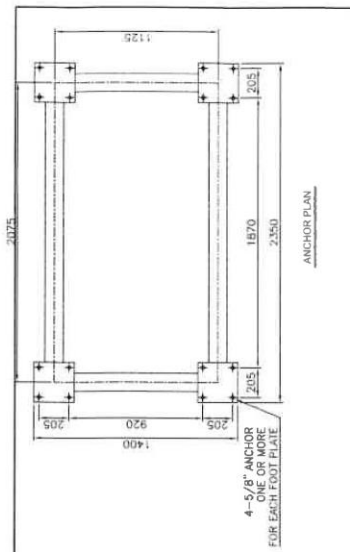
# LABEL STRIPPER



DESIGNED BY	CHECK BY	DATE BY	SCALE	PROJECT
SAK	JAK	DAU	1:1	PUL-BUCKLE PUMP
DATE	DATE	DATE	PROJECT	Customer
			PROJECT	NAME
				LABEL-STRIPPER
				MAN



PT. TECH IN TECH IN TECH



<p>DRUM: GEARED MOTOR 37KW 3P 50HZ 4P 220V/380V 1/10 MFG: LG-OTS VENDOR: SANGYANG GEAR</p>	<p>SCALE: 1/20</p> <p>DATE: 17-03-2011</p> <p>PROJECT: 16-SH-002-03</p>
<p>FAN: FLANGED MOTOR 37KW 3P 50HZ 4P 220V/380V 1/10 MFG: LG-OTS VENDOR: SANGYANG GEAR</p>	<p>REVISIONS</p> <p>NO. 1</p> <p>DATE 17-03-2011</p> <p>BY</p>
<p>DRUM: GEARED MOTOR 37KW 3P 50HZ 4P 220V/380V 1/10 MFG: LG-OTS VENDOR: SANGYANG GEAR</p>	<p>SCALE: 1/20</p> <p>DATE: 17-03-2011</p> <p>PROJECT: 16-SH-002-03</p>
<p>FAN: FLANGED MOTOR 37KW 3P 50HZ 4P 220V/380V 1/10 MFG: LG-OTS VENDOR: SANGYANG GEAR</p>	<p>REVISIONS</p> <p>NO. 1</p> <p>DATE 17-03-2011</p> <p>BY</p>